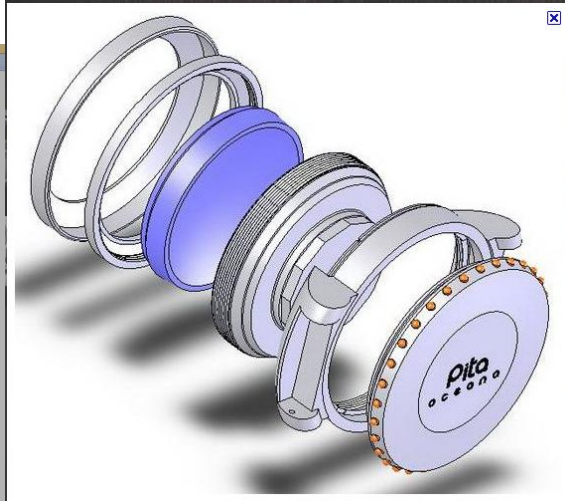


First Thoughts



Acrylic watch stand (JH-0029)



<http://www.ablogtoread.com/pita-barcelona-oceana-divers-watch-sounds-delicious-looks-great/>

Watch Reviews Watch Buying Guide About Polls Watch Repair Contact

subscribe - your@email.com GO

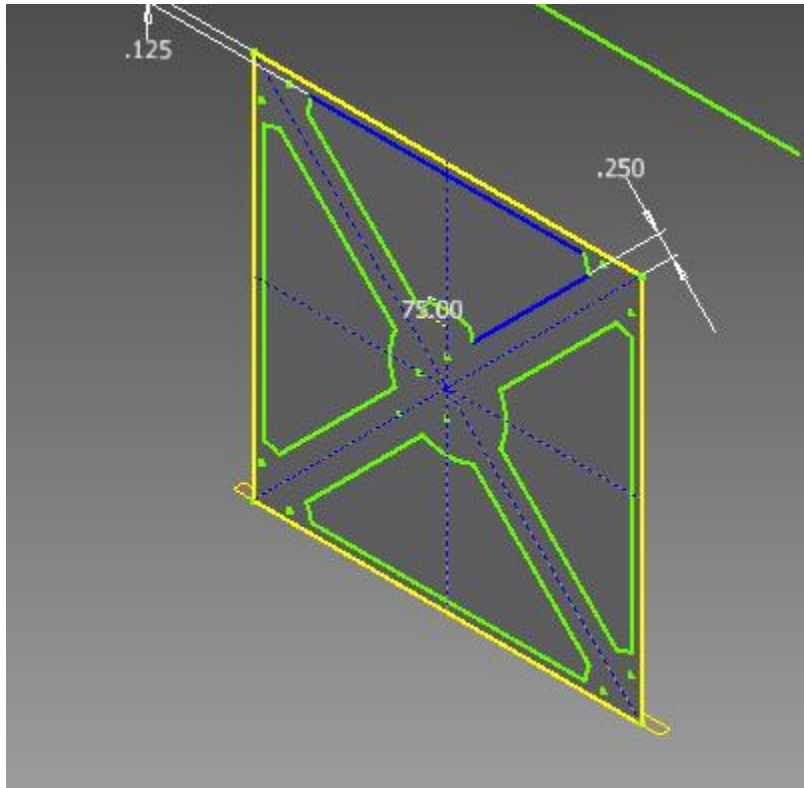
aBlogtoRead.com
The most popular watch review and news source online

Win This!

EYAFJALLAJÖKULL-DNA
ROMAIN JEROME
DRA OF FANTASY LEGENDS

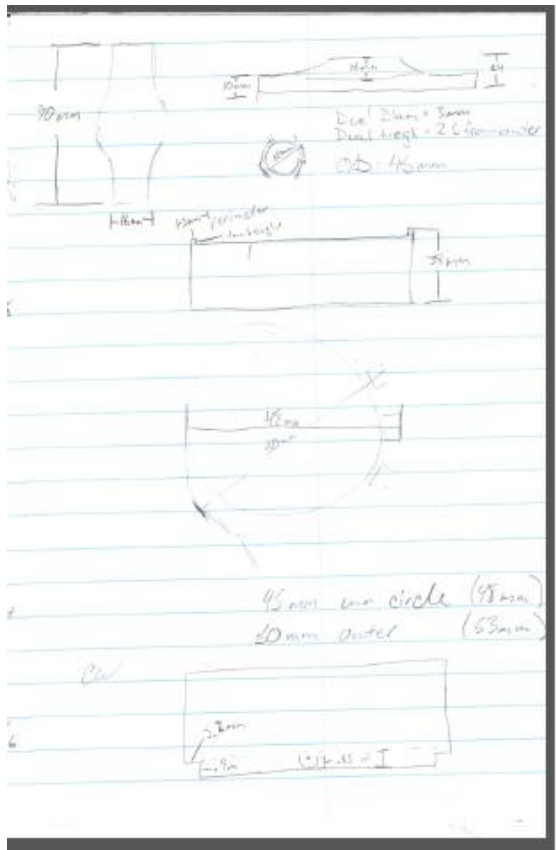
Search

ORIGINAL DESIGN IDEA



This was going to be a box with **mainly the exterior** taking references and inspirations from the watch face and dials. The image in my head was that it would be either glass or heavy plastic to give it a thick, chunky feel that mimics that of the watch. The left and right side would have “cut-outs” that copied the dials. The front, bottom, and back were going to have etchings that looked like the face of the watch, while the top would be almost a negative space version of the sides with a solid glass circle over the actual face of the watch allowing you to see the real watch face. The only problem was that this would not have been contoured or conforming enough to be for **My** watch only... and this was a deal breaker.

BACK TO THE OL' DRAWING BOARD

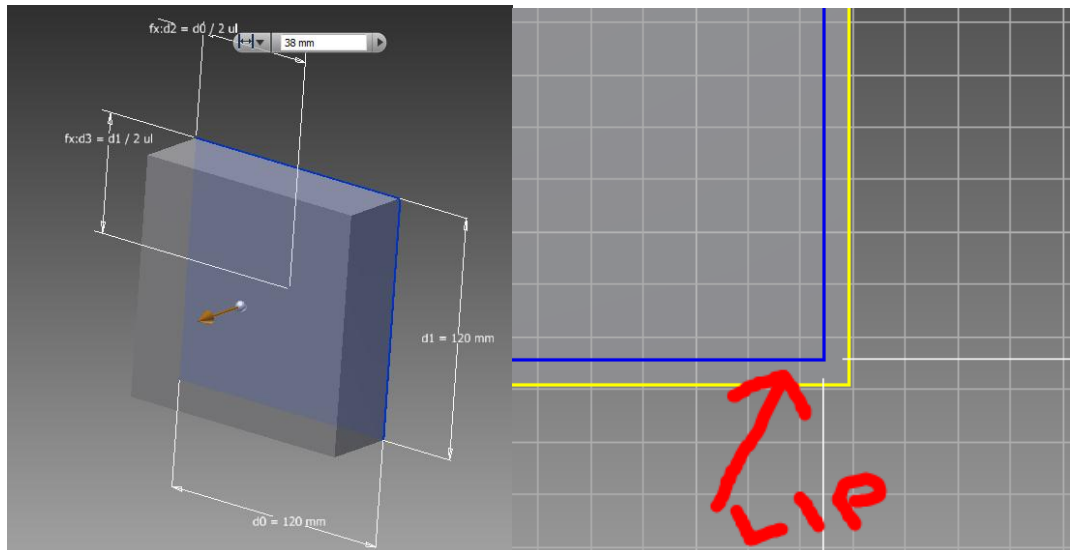


Re-measuring the watch in a flat folded state, I began to just imagine a simple box. Something simple. Something robust. Something manly!! Maybe made of carbon fiber or brushed aluminum, or something with the smell of leather and rich mahogany.

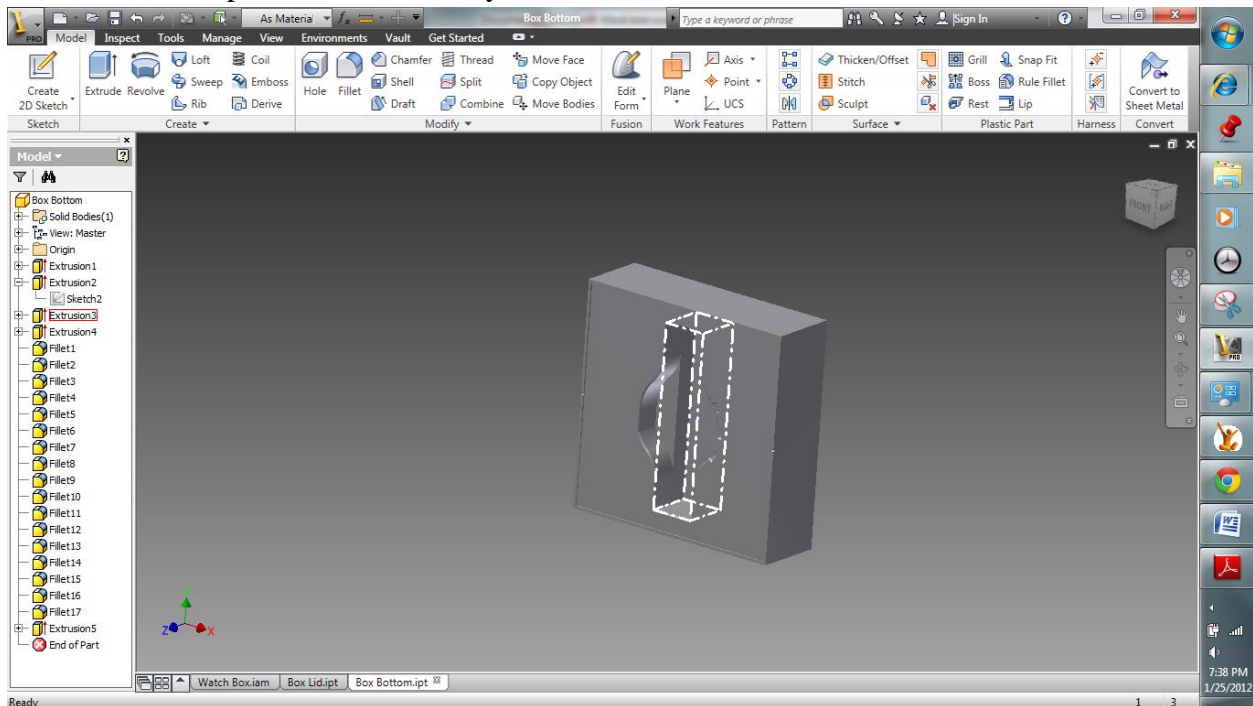


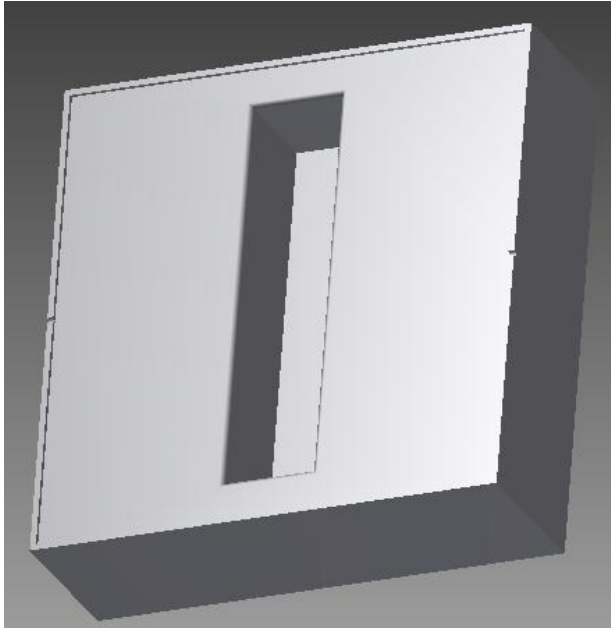
Anyway, the idea was to have the watch just sit in the box. Have it sit in a space that conforms to and hugs the watch in a way that almost no other watch could sit in it.

So I started with a square box. Cut out all but a small lip that the lid would eventually fit into.

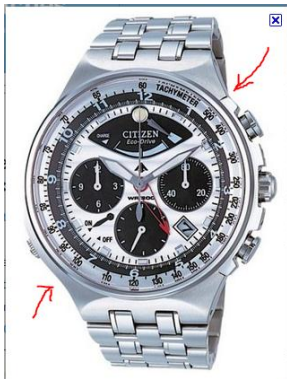


Then I did a cut extrude on the top face that was just 3mm larger in both directions than the band of my watch. This would ensure that nobody with normal sized wrists, not a 10 year old girls', would be able to put their watch in my box.

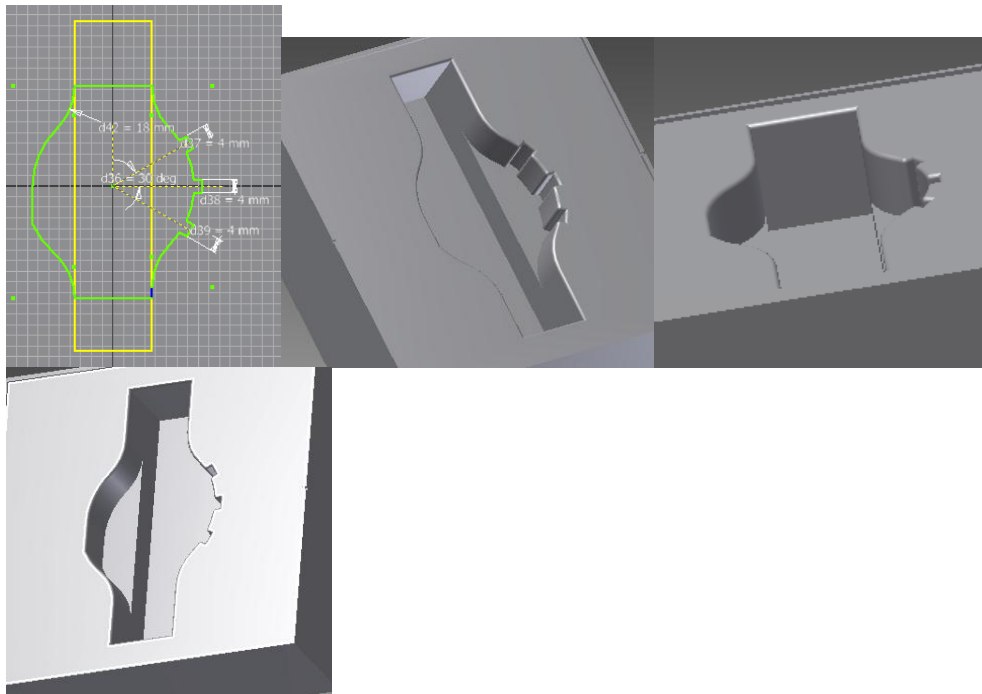




Next was the hard part. Trying to take micro measurements of every little bend, nook, and cranny of the timepiece part of the watch was no easy task in itself. Trying to draw the shape to extrude from my block was even harder. It wasn't cutting around the dials or figuring out the depth (Although, harder than you might think). It was trying to creating the smooth gradual curve from the face to the band that I could not figure out for quite some time.



Eventually, with some persistent measuring, re-measuring, head scratching, and just a little educated guessing, I think I came pretty darn close. Then, just for good measure, I decided to fillet all of the edges. After all, when protecting something precious to you, I think the last thing you want around it is a bunch of sharp edges.

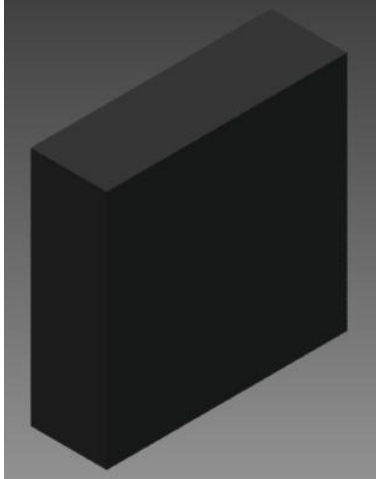


As proud as I was of this whole thing I wasn't finished. The container had to be just that – a container. I needed a lid to hold the watch in, and keep it secure. To be honest, I wanted to just do a flat square that would fit inside the lip of the box and call it good. But, I wouldn't have been happy with that. I really like the gears/dials and emblem of this watch, and I really wanted to

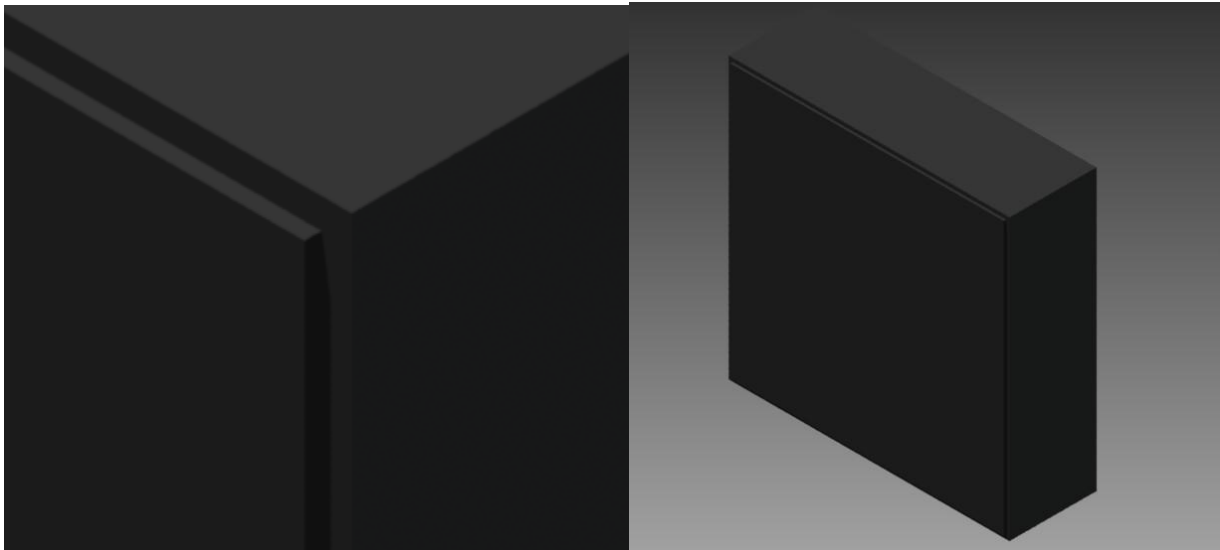


have something on the outside of my container reflect them.

I decided to make a lid that was just as thick as the base. I figured that if I wanted to hit it with a hammer, and not damage the watch inside, that this would be the best approach so...



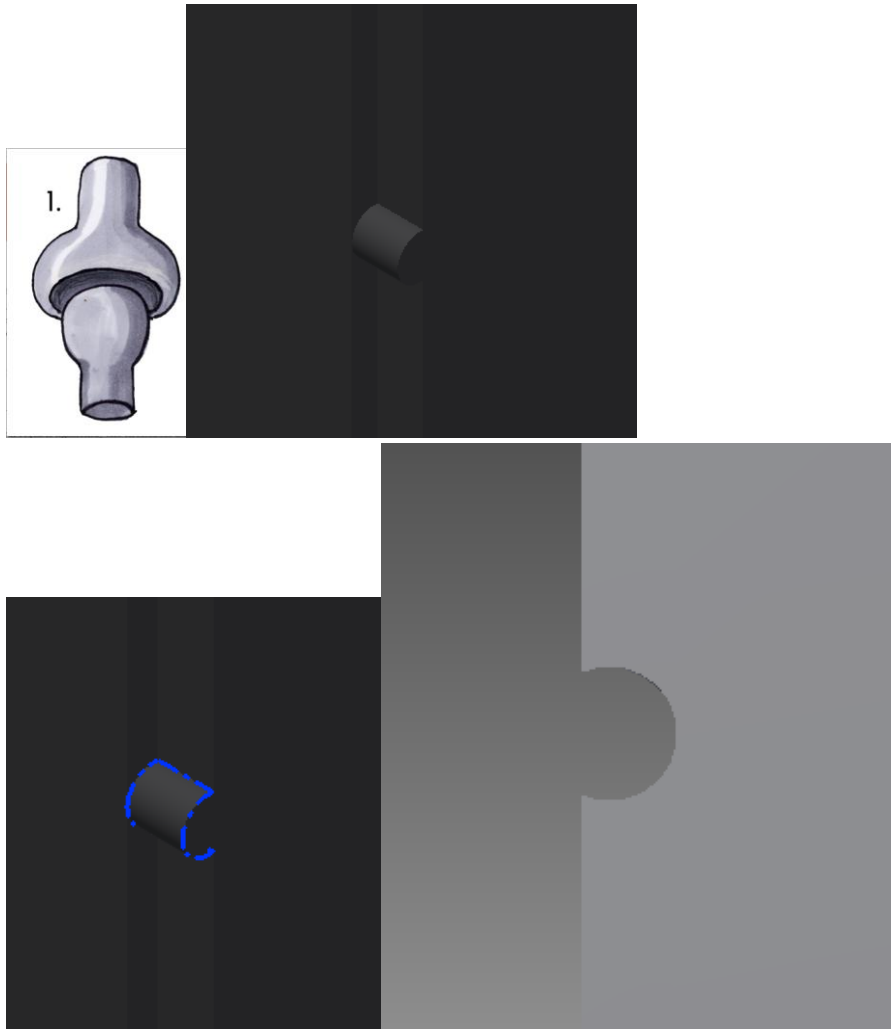
Here's my lid. Fancy, huh? Well, I'm not done. I recessed the outer edge of it so that it would sit down in the base, and not slide off.



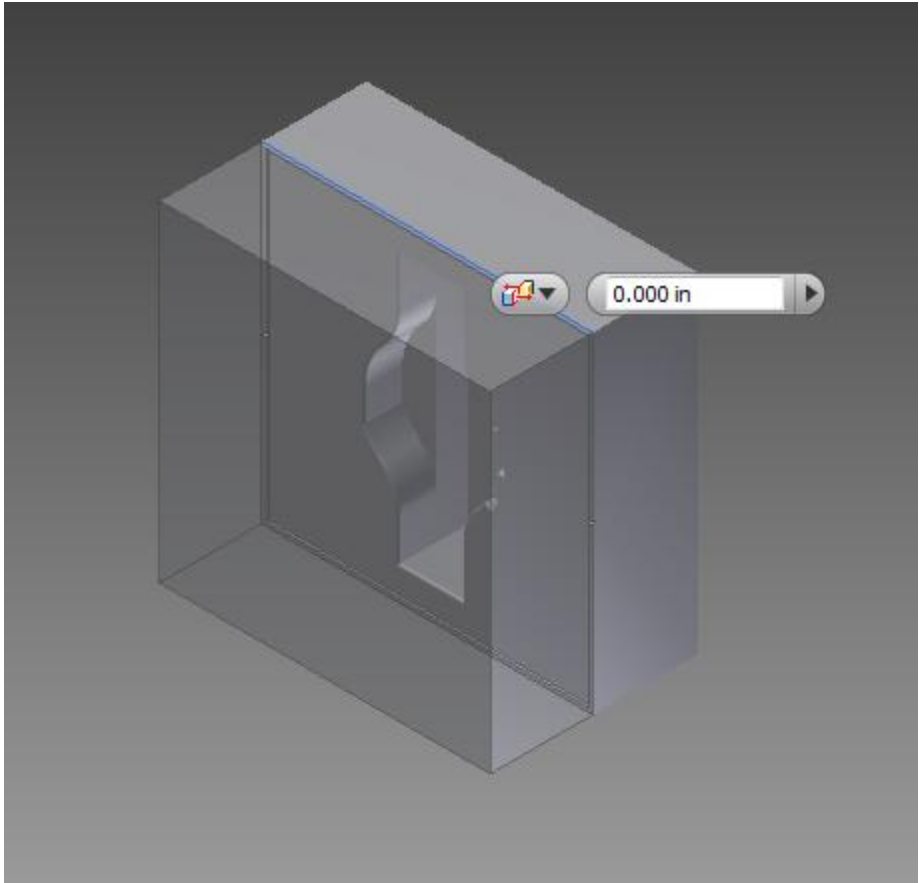
But then I remember that Jonathan said that it must "lock" into place. For this I thought of several things. Jewelry box locks, keyed locks, some sort of belt, or hinged clamp that would hold the two pieces together.



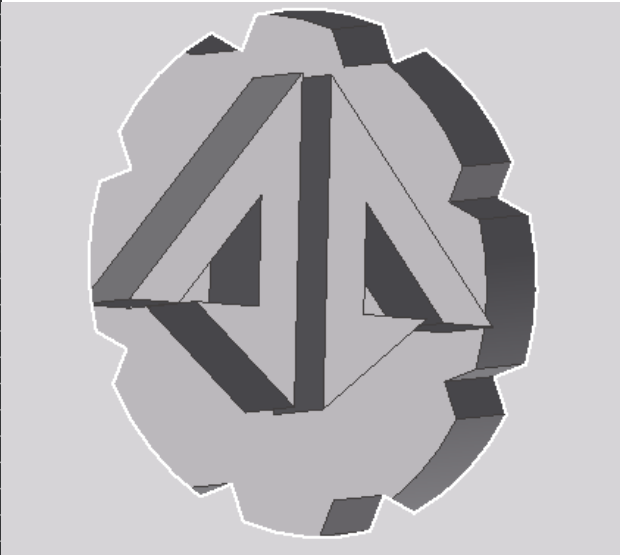
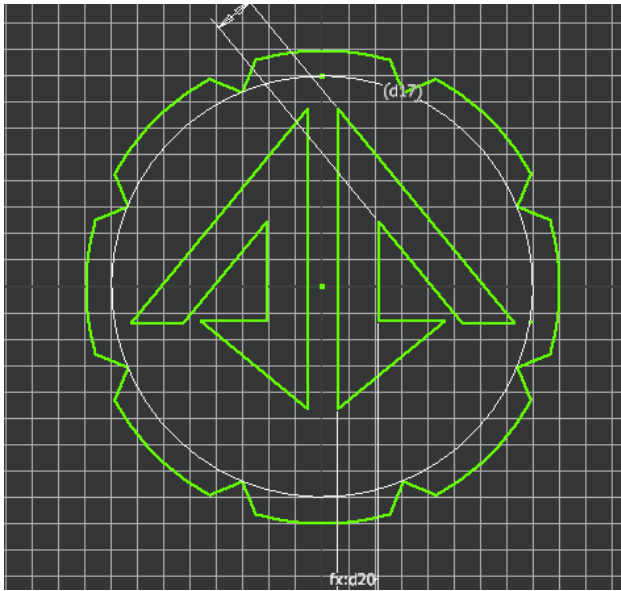
However, these were all out of my skill set with the software and time constraints. Plus, my whole take on this assignment is that this would be something that I might actually make, and actually use on a daily basis. That being the case, I did not want something that would be too complicated to get into. If it were, then all I would end up doing is throwing my watch on top of my container every day, or losing the key. So I decided to go with a simple ball and socket variation. Something that I could grab, pull apart, and put back together on my way out the door.

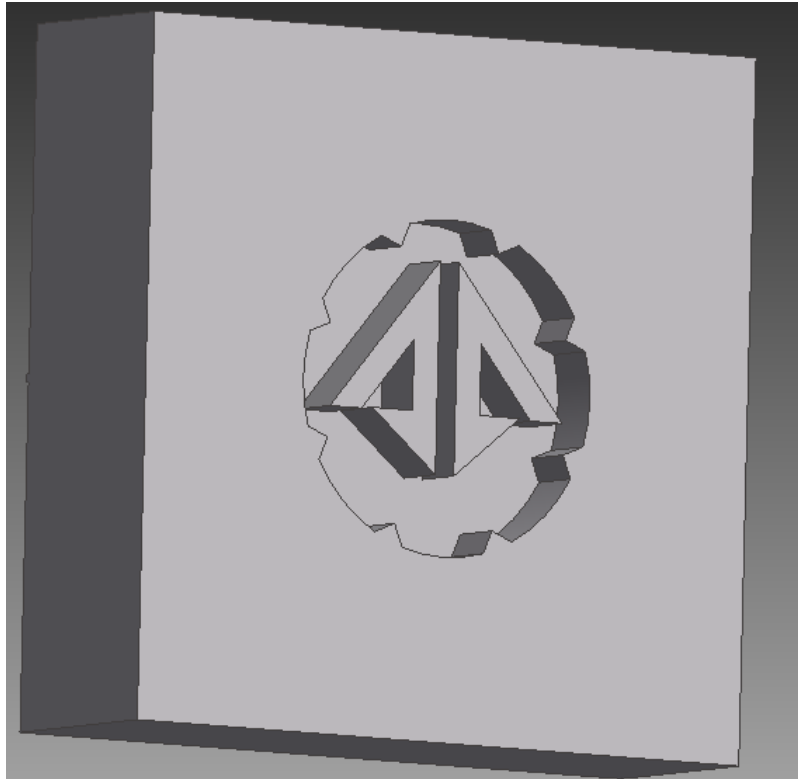


This was a bit harder to guesstimate than I thought too. I knew that I wanted it small so that it would be easier to pull apart and fit together. Sort of one of the reason that I made the lips of my base and lid so small. I did not know if there was some sort of formula for how far past the midpoint of the circle I would need to go. I tried to Google for what felt like an eternity, but with time really becoming a major factor, I rolled the dice and went with an 85/15 ratio. So here is my container ...all mated up.



Okay, I still wasn't happy. Like I said, I wanted to have something from the watch on the outside of my box. Here is what I came up with:





After all is said and complete, I am not 100% happy with the end result. I took a look at Micah's design and really like the twist lock concept. That got me thinking that I could make my box in the shape of the gear, and have the top twist on to the bottom. However, after 2 hours of trying to redefine sketches and features to no avail, I will have to give up on that idea. I would also like to revisit the flat square lid idea. This time instead of just sitting in the recessed area, I would make it slide in from one of the sides with like a tongue and groove sort of fit. The idea being that the lid would be glass with the etching on the top, but so that you could still see the watch face. Unfortunately, time is up and I have to go to sleep this week. That's my show folks. I'm here every Tuesday and Thursday. Try the shrimp.

Future aspirations



Classy!!!!



didn't have taste.

Watch holder and a stereo?! If only my wife

